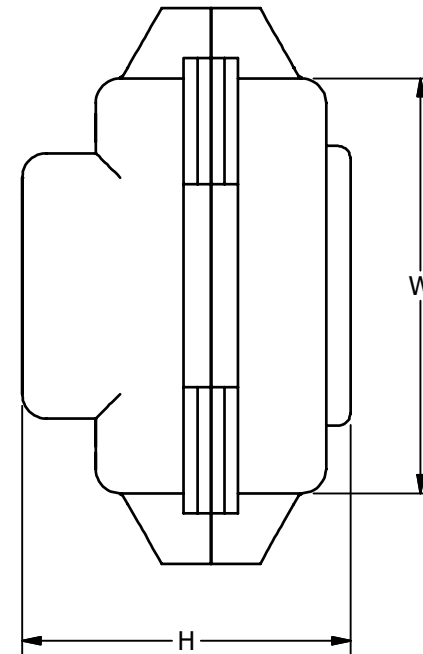
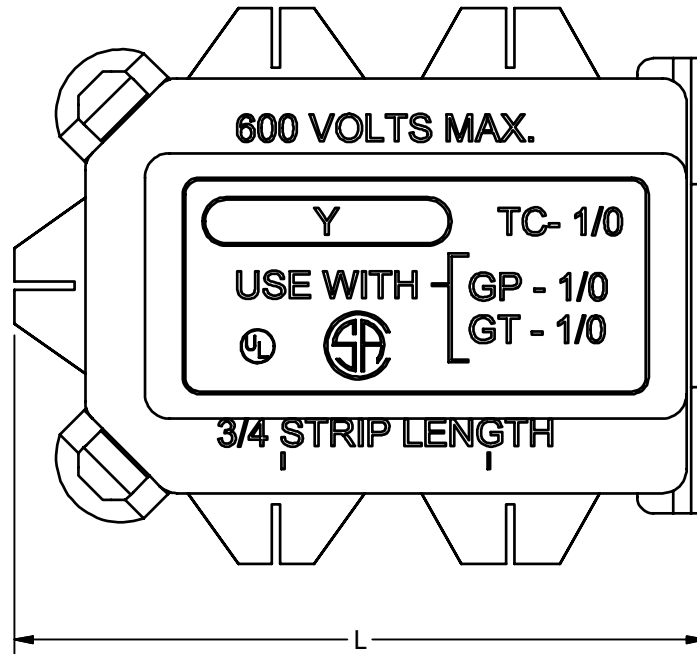
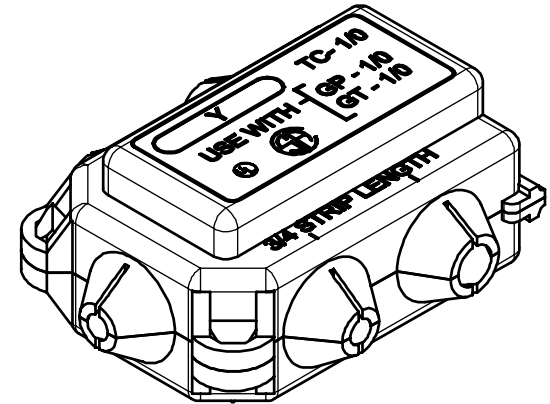
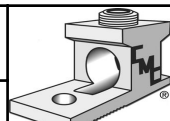


S.NO	CATALOG NUMBER	L	W	H	COLOR
1	TC-1/0	2.62 [67]	1.55 [39]	1.26 [32]	YELLOW
2	TC-2	2.25 [57]	1.37 [35]	1.11 [28]	GREY
3	TC-250	3.44 [87]	2 [51]	1.63 [41]	RED
4	TC-350	3.76 [96]	2.29 [58]	1.76 [45]	YELLOW
5	TC-500	4.89 [124]	2.34 [59]	2.12 [54]	BLUE
6	TC-750	4.55 [116]	2.45 [62]	2.34 [59]	ORANGE



					TO ORDER CMC PRODUCTS	DRAWN BY: TS	NAME OF PART:	CAT. NO.:
					UNITED STATES 1-513-860-4455	01-13-20	COVER	SEE TABLE
					CANADA 1-800-361-6975	CHECKED BY:	DWG NO:	A
					MEXICO 011-52-722-265-4400		C58700867-S (CHARTED)	
A	NEW DRAWING CREATED		01-13-20	TS	FOR PRODUCT INFO www.cmlugs.com	DRAWING NOT TO SCALE		SHEET NO: 1 OF 1
REV.	DESCRIPTION	ECN	DATE	INIT.				

THIS INFORMATION IS PROPRIETARY TO CONNECTOR MFG. CO. AND IS NOT TO BE DISCLOSED OUTSIDE OF CONNECTOR MFG. CO. WITHOUT A CONFIDENTIALITY AGREEMENT



CONNECTOR MANUFACTURING CO.

HAMILTON, OHIO